



## AppliMax 200 Series Spray Boom Remote Control (SBRC)

### Control Module and Wire Harness Selector

#### CONTROL MODULE SELECTION

- Most sprayers require the model 207 Control Module, except John Deere, RoGator and Hardi.
- Most John Deere sprayers require the model 217 Control Module, except: the John Deere 4940.
- The SBRC does not work on RoGator or Hardi sprayers.

#### WIRE HARNESS(ES) SELECTION

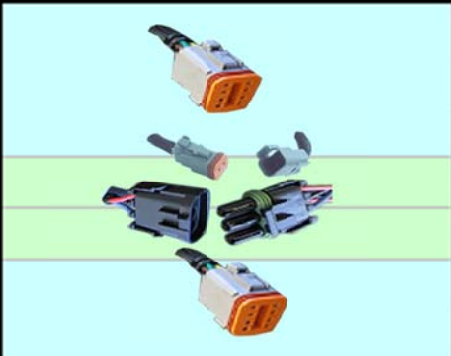
If your sprayer make / model is not shown, please check the *Support* page of [www.ati.ag](http://www.ati.ag) under *Manuals* to see if there is a newer version of this manual. If your sprayer make / model is not shown please contact Agritronics. Some of our wiring harnesses can be used on sprayer makes / models not shown and we are developing additional wire harnesses on an ongoing basis.

Locate the chart with your sprayer make and model and note the part number at the top of the chart.

It is a good idea to verify that these are the correct connectors for your sprayer. The *Wire Connector Location* on the chart indicates where the connectors are located. If this is not the correct wire harness, contact Agritronics.

**IMPORTANT** - Sprayers can have multiple connectors that look the same. Follow the wiring from the boom section control valves closely to ensure you have the correct connector. To check if you have the correct connector, unplug the connector and check if the valve switch still works. Plugging into the wrong connector could damage the *Spray Boom Remote Control* and/or your sprayer's electrical system.

**NOTE** - The wire harness kits may contain extra connector harnesses that will not be required on your sprayer due to the make, model or number of boom sections.


Sprayer Make / Model	Sprayer Year	Wire Connector Location	Connector Type	Wire Location	Wire Colour	Wire Function
<b>Part No. SBRC207-250-00-APMX</b>						
Case-IH 3310 3320 3330 4410 4420 4430	All	Center of Boom		Power	Red	Power
				Ground	Black	Ground
				Left 3 Boom	Green	Signal
				Left 2 Boom	Yellow	Signal
				Left 1 Boom	Blue	Signal
				Center Boom	Blue	Signal
				Right 1 Boom	Yellow	Signal
Right 2 Boom	Green	Signal				
Right 3 Boom	Purple	Signal				

Sprayer Make / Model	Sprayer Year	Wire Connector Location	Connector Type	Wire Location	Wire Colour	Wire Function
----------------------	--------------	-------------------------	----------------	---------------	-------------	---------------


**Part No. SBRC207-251-00-APMX**

Case-IH 3150 3200 4260 Miller & New Holland Self Propelled	All	Center of Boom		Power	Red	Power
				Ground	Black	Ground
				Left 3 Boom	Blue	Signal
				Left 2 Boom	Blue	Signal
				Left 1 Boom	Blue	Signal
				Center Boom	Blue	Signal
				Right 1 Boom	Blue	Signal
				Right 2 Boom	Blue	Signal
				Right 3 Boom	Blue	Signal

**Part No. SBRC207-252-00-APMX**

Case-IH SRX 100 & SRX 161 Apache Flexi-coil 67 & 68 NH SF 110, 115, 210 & 216	All	Center of Boom		Power	Red	Power
				Ground	Black	Ground
				Left 3 Boom	Blue	Signal
				Left 2 Boom	Blue	Signal
				Left 1 Boom	Blue	Signal
				Center Boom	Blue	Signal
				Right 1 Boom	Blue	Signal
				Right 2 Boom	Blue	Signal
				Right 3 Boom	Blue	Signal

**Part No. SBRC217-136-00-APMX**

John Deere 4710, 4720, 4730, 4810, 4820, 4830, 4910, 4920, 4930	All	Behind Boom Switch Panel in cab		Power	Red	Power
				Ground	Black	Ground
				Left 3 Boom	Green	Signal
				Left 2 Boom	Blue	Signal
				Left 1 Boom	White	Signal
				Center Boom	Yellow	Signal
				Right 1 Boom	Purple	Signal
				Right 2 Boom	Brown	Signal
				Right 3 Boom	Grey	Signal



Smart Solutions

**ATI Agritronics Inc.**  
 2221 Cairns Avenue  
 Saskatoon . SK . Canada . S7J 1T7  
 TF: 888.284.0112 EM: service@ati.ag  
 WS: www.ati.ag